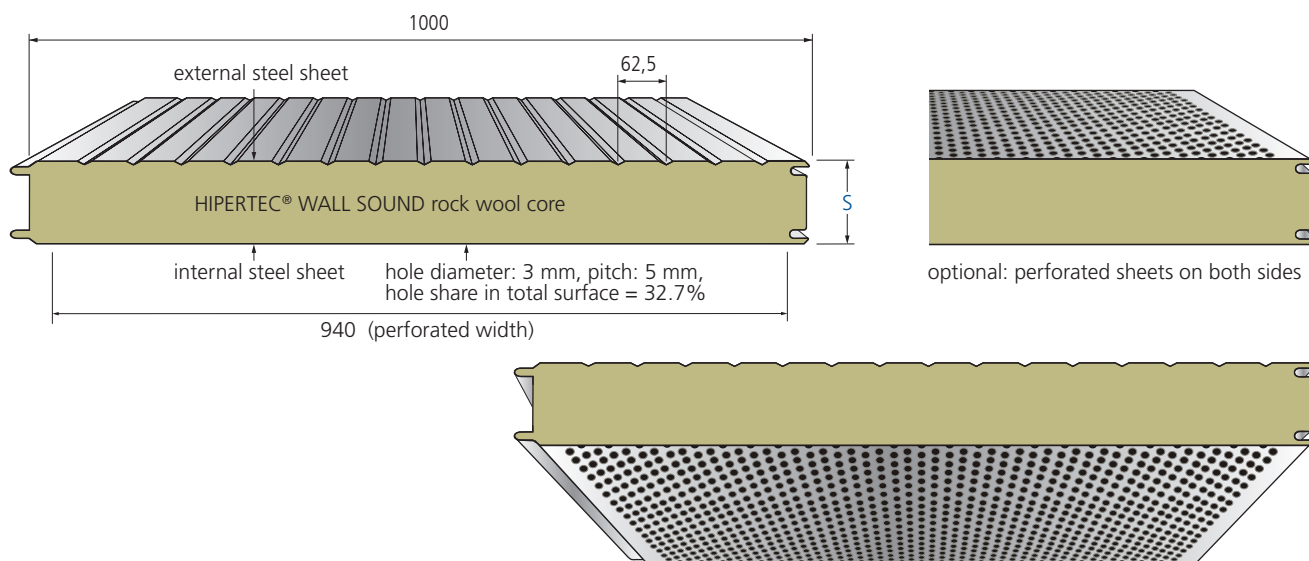




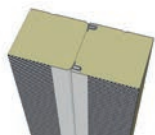
Hipertec® Wall Sound is a sandwich panel with an insulation core of mineral wool and steel cover sheets, the internal sheet being perforated. This panel is perfectly apt for buildings with high requirements for noise insulation and sound absorption. The design of the internal sheet improves room acoustics substantially. This system patented by Metecno applies a special fleece as trickle protection between the internal sheet and the rock wool core.

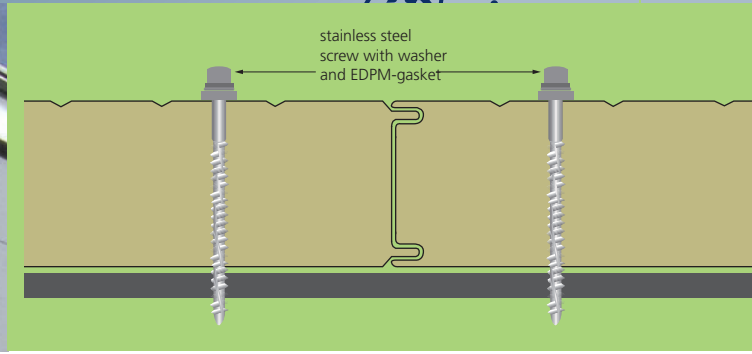
Generally used as ceiling or partition wall, Hipertec® Wall Sound may also be used as external wall in specific cases, though it is generally not recommended to apply this panel in heated buildings or buildings with high moisture. For additional information please refer to our detailed technical manual.



dimensions in mm

type of element	core thicken. s	external steel sheet tN	internal steel sheet tN	weight kg / m ²	thermal resistance R	thermal conductivity [Ψ – joint effect]	
						U w/o Ψ	U with Ψ
	mm	mm	mm	kg / m ²	m ² K / W	W / m ² K	W / m ² K
HIPERTEC® WALL SOUND	60	0,60	0,60	15,3	1,34	0,711	0,731
	80	0,60	0,60	17,5	1,79	0,537	0,548
	100	0,60	0,60	19,7	2,25	0,432	0,438
	120	0,60	0,60	21,9	2,70	0,361	0,365
	150	0,60	0,60	25,2	3,38	0,290	0,292
	200	0,60	0,60	30,7	4,52	0,218	0,219
	240	0,60	0,60	35,1	5,42	0,182	0,183





THERMAL CONDUCTIVITY

$\lambda = 0.044 \text{ W / mK}$ according to DIN 4108 and DIN EN 13162
The insulation values are regularly monitored by external bodies and may be applied without any further reduction

STANDARD LENGTHS

> 2,00 m to 25,00 m, greater lengths on request

STANDARD COATING

External and internal steel sheet: 25 μm polyester

SOUND INSULATION

$R_w \approx 31 - 33 \text{ dB}$

CORROSION PROTECTION

Tested according to DIN EN 10169:

External sheet: Class RC3

According to DIN EN ISO 12944-2:

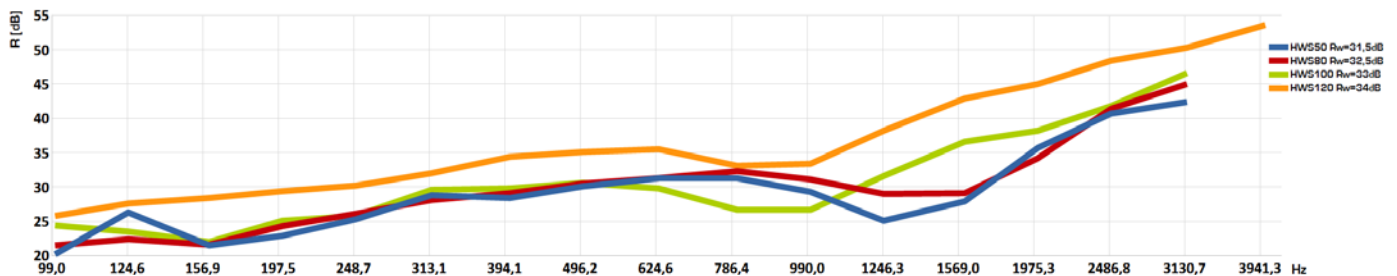
External sheet: corrosivity category C3 corresponding to average protection duration for urban and industrial environments with moderate exposure to sulphur dioxide

PACKAGING

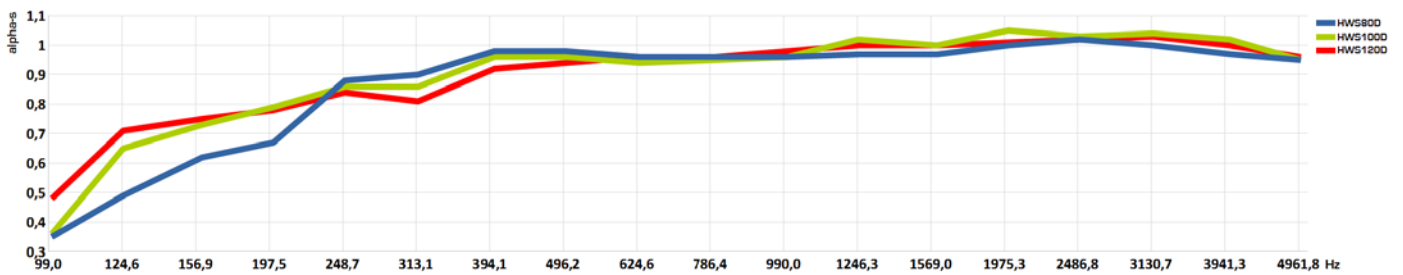
External and internal sheets provided with removable protective film, panel packages wrapped with banded plastic foil to protect from soiling

SOUND INSULATION

Rated sound damping dimension R_w : Core thickn. 50 mm = 31,5 dB, 80 mm= 32,5 dB, 100 mm= 33 dB



SOUND ABSORPTION



frequency Hz	thickness mm	125	250	500	1000	2000	4000
α_s	50	0,31	0,71	1,03	1,01	0,95	0,88
α_s	80	0,46	0,86	0,99	1,03	0,91	0,77
α_s	100	0,58	0,76	0,93	0,94	0,96	0,85

